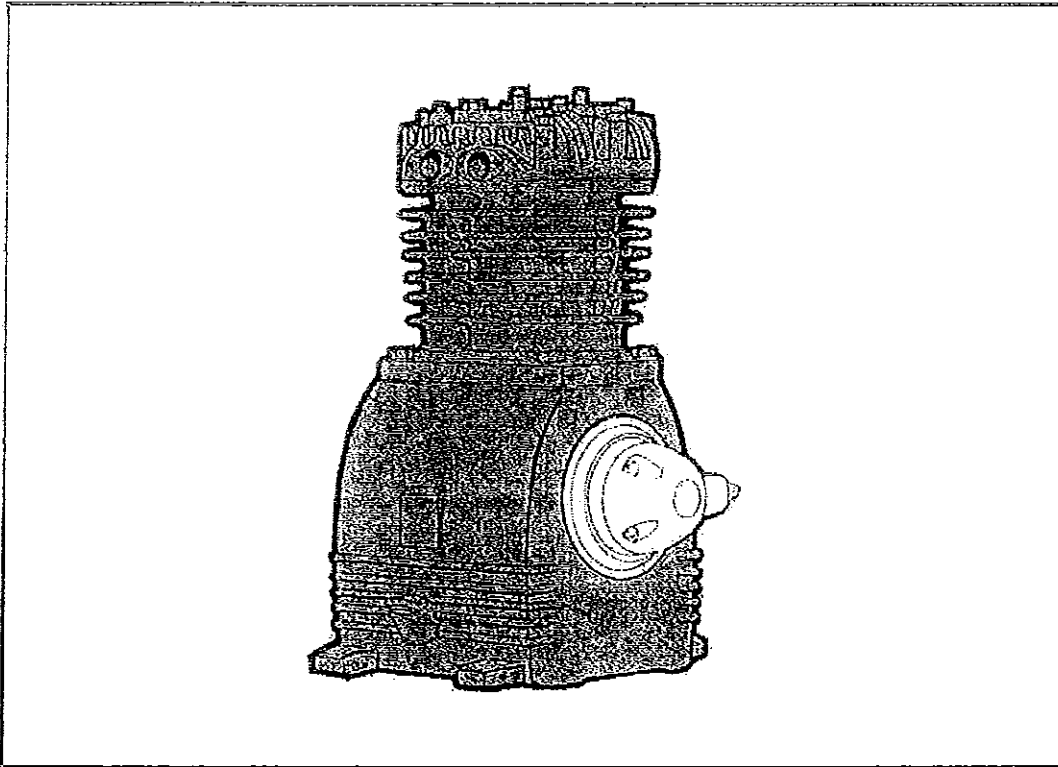




## 236 Series Compressor Pump

Note: This Pump is obsolete. Please contact your local Devair Distributor for Parts and/or a newer replacement Pump.



**Warning: Check for proper oil level before using this equipment.**

Use 10 weight non-detergent oil for ambient temperatures below 40°F.

Use 20 weight non-detergent oil for ambient temperatures between 40°F and 90°F.

Use 30 weight non-detergent oil for ambient temperatures above 90°F.

<b>Specifications:</b>	Crankcase Capacity:	76 Fluid Oz (1.9 litres)
	Minimum RPM:	500
	Maximum RPM:	1200
	Max. Intermittent Working Press.:	300 psi
	Max. Continuous Working Press.:	200 psi

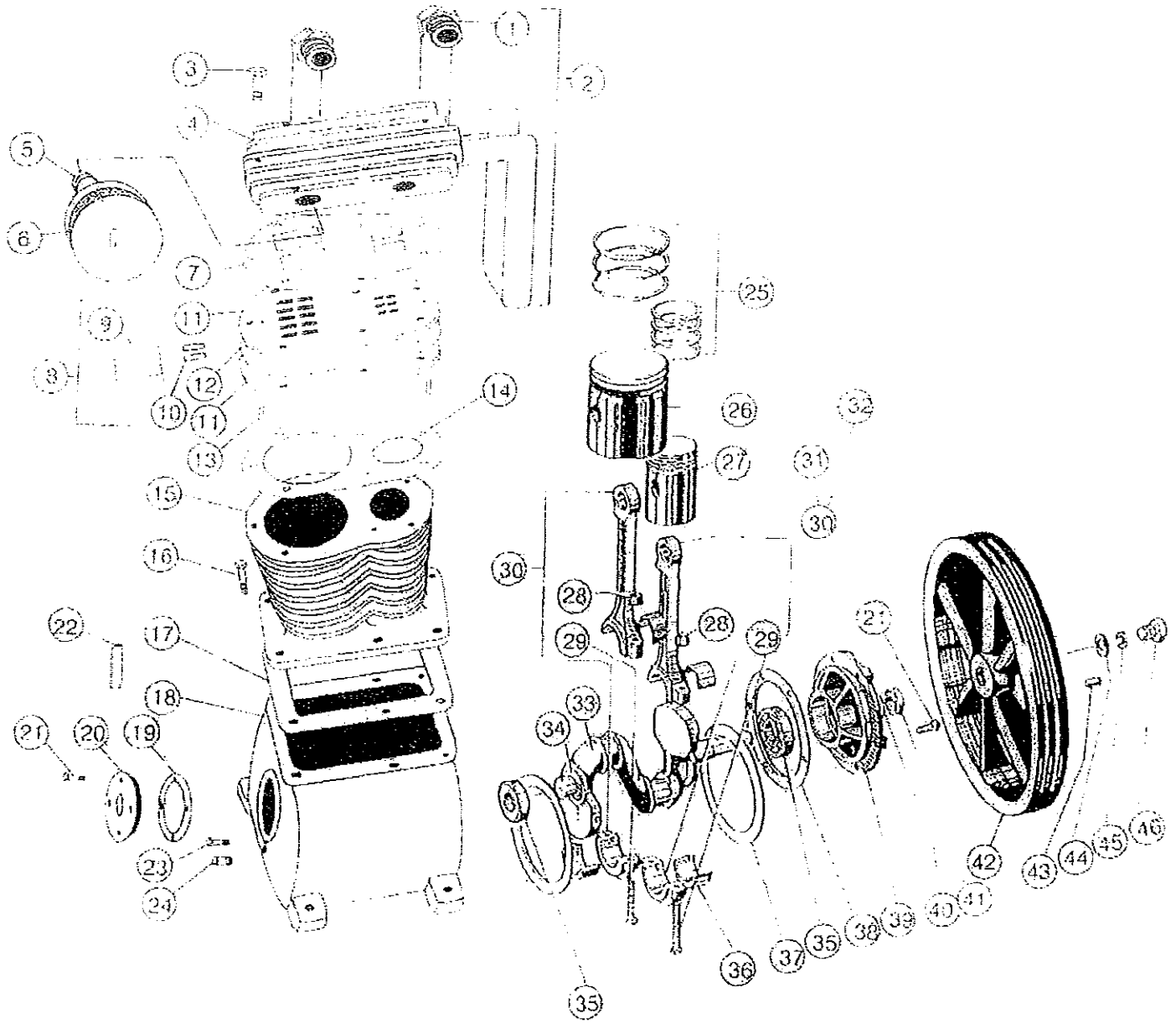
If you require assistance, contact your local Devair Distributor or Authorized Service Centre. If you wish to contact Devair directly or need to locate your closest Distributor, please reach us at :

Phone: (705) 728-5657

Website: [www.devair-compressors.com](http://www.devair-compressors.com)

Fax: (800) 561-1663

Email: [sales@devair.ca](mailto:sales@devair.ca)





The Item Numbers in the Chart(s) below refer to the Pump Breakdown on Page 2.

Item:	Part Number	Qty	Description
1	U40-11	1	Tube Nut
2	CT-9477	1	Intercooler Assembly
3	SS-01958	7	3/8-16 x 4" HHCS
4	236-24	1	Cylinder Head
5	357-9405	1	Air Intake Filter Assembly
6	357-9701	1	Air Intake Filter Element
7	236-51	1	Head Gasket
8	236-425	1	Valve Plate Assembly
9	236-225	4	LP Leaf Valve
10	236-25	2	HP Leaf Valve
11	236-345	2	Valve Plate
12	236-50	1	Valve Plate Gasket
13	SS-01957	2	3/16 x 5/8" Lg Spring Pin
	SS-9918	2	12-24 x 1/2" FHMS
14	236-26	1	Cylinder Gasket
15	440-325	1	Cylinder
16	SS-24	6	3/8-16 x 7/8" HHCS
17	432-327	1	Cylinder to Crankcase Gasket
18	240-4	1	Crankcase
19	38281-110	1	End Plate Gasket
20	37331-106	1	Small End Plate
21	SS-13	10	5/16-18 x 7/8" HHCS
22	236-9400	1	Crankcase Vent
23	225-6	2	Screw

Item:	Part Number	Qty	Description
24	DV-500	1	Oil Drain Valve
25	RK-9400	1	Ring Kit (Std)
26	440-412	1	LP Piston & Pin Assembly
27	440-4112	1	HP Piston & Pin Assembly
28	SS-7982	4	3/8-24 Lock Nut
29	432-41	4	Connecting Rod Bolt
30	45856-137-1	2	Rod & Cap Assembly
31	440-9403	1	HP Rod & Piston Assembly
32	440-9402	1	LP Rod & Piston Assembly
33	45817-516	1	Crankshaft Assembly
34	235-43	2	Oil Cup
35	130-23	2	Ball Bearing
36	432-474	2	Connecting Rod Bearing (Std)
37	235-5-1	2	Oil Throw Ring
38	38256-117	1	End Plate Gasket
39	37333-307	1	Large End Plate
40	330-160	1	Felt washer
41	130-111	1	Oil Seal
42	236-2	1	Flywheel 15" O.D. 18
43	SS-1578	1	3/16 x 1" Key (#608)
44	32233-122	1	Flywheel Washer
45	SS-1502	1	3/8" Heavy Lock Washer
46	SS-25	1	3/8-16 x 1" HHCS

### Kits Available for the '236' Pump

Part Number	Qty	Description	Includes
GK-9402	1	Complete Gasket Kit	# 7, 12, 14, 17, 19, 38
VRK-236	1	Valve Repair Kit	# 7, 9, 10, 12, 13, 14
OK-236	1	Overhaul Kit	# 25, 41, and (1) 'GK-9402', (1) 'VRK-236'
MK-236	1	Maintenance Kit	20 Weight Oil + Filter (for 1 change)



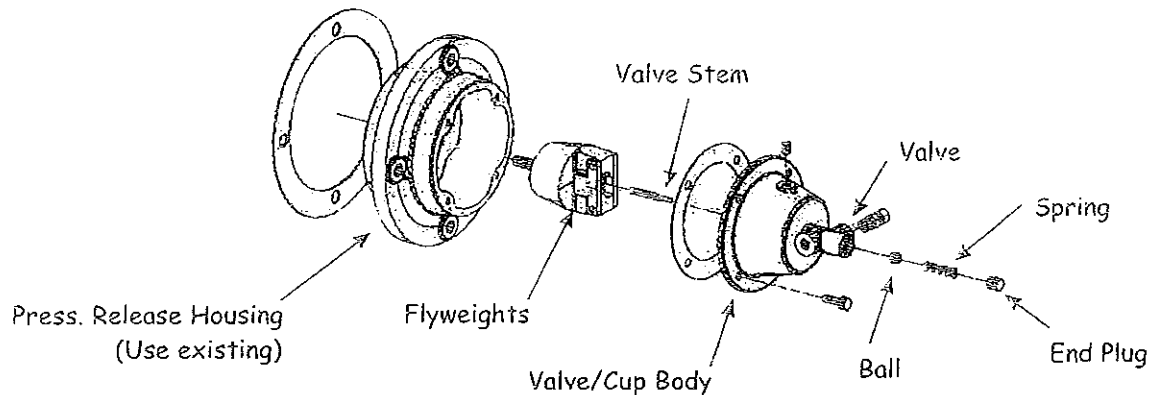
## Centrifugal Pressure Release Assembly

### New Style 'CPR' Assembly.

This CPR can be retro-fitted onto an existing '236' Series Pump without a CPR. Order:

- (1) 'CPR-9700' Kit
- (4) 'SS-7840' HHCS
- (1) '37335-106' CPR Housing
- (1) '38281-110' Gasket

Note: This Kit can only be used on Pumps that operate at 500 rpm or more.



### Compressor Torque Values

Item:	Description	In Lbs	Ft Lbs	Nm
3	Head Bolts	240	20	27.1
16	Cylinder to Crankcase	240	20	27.1
20	Small End Plate	144	12	16.2
23	Oil Retainer Ring	144	12	16.2
29	Connecting Rod - Crank End	408	34	46
39	Large End Plate	144	12	16.2
46	Flywheel Bolt	360	30	40.6

### Honing Specifications

	Std. Cylinder Hone Diameter	Piston Skirt/ Cyl Dia Clear.
Low Pressure Cylinder	4.000	.0050
	4.001	.0070
High Pressure Cylinder	2.1245	.002
	2.1255	.004

1. Diametral Clearance of oversized Cylinders and Pistons is the same as standard Cylinders and Pistons.
2. Cylinders must be within diametral tolerance at all points, out of round or taper must not exceed .0005.
3. Hone 20 min to 35 max micro inches of surface roughness.
4. De-burr the sharp corners at the top of the Cylinder opening with a 1/64 to 1/32 x 30° chamfer.

### Connecting Rod Insert Bearings

Insert	Crank Throw Diameter	Part Number
Standard	2.0000	432-474
	1.9995	
.010	1.9900	432-474-010 (NLA)
	1.9895	
020	1.9800	432-474-020
	1.9795	

**CAUTION:** Pre-lubricate all Crank Throws and Insert Bearing surfaces to prevent Compressor tie-ups during the first few minutes of operation. Pour oil on the outside of the Connecting Rod and Crank shoulders. Use the Crankcase oil, DO NOT USE GREASE.



'236' Pump Specifications

Pump Model	HP	175 psi		125 psi		# of Cyl.	Bore	Stroke	Flywheel		Pump Dimensions (Refer to drawing)						Weight (Pounds) (Approx)	
		RPM	Del'y (CFM)	RPM	Del'y (CFM)				Dia.	Groove	A	B	C	D	E	F		
236	3	500	10.1	600	11.8	2	4"	3.5"	15"	18 (236)	15"	22.75"	19"	15.375"	9.125"	8.125"	160	
	5	750	16.5				4											
	11 Gas	750	16.5				2.125"											

Note: Though the dimensions are correct, the Pump may not be exactly as shown.

