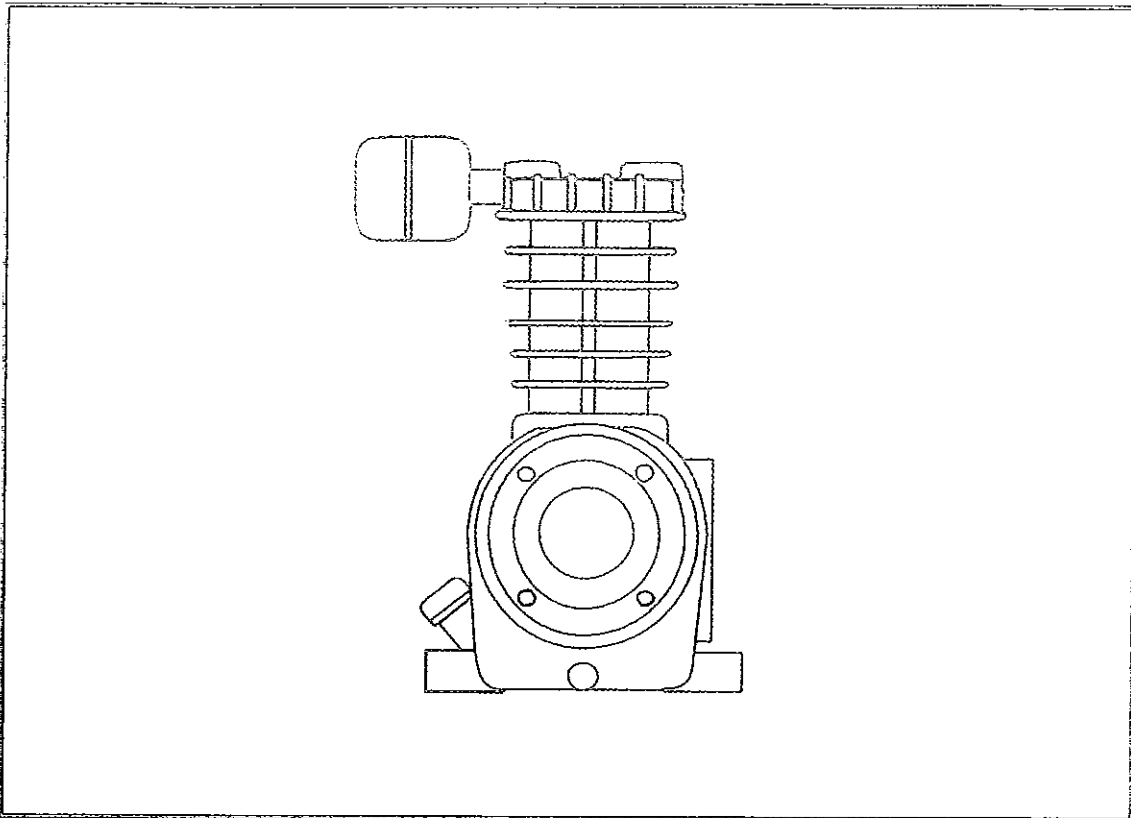




## 223 Series Compressor Pump



**Warning:** Check for proper oil level before using this equipment.

Use Devair Premium Compressor Oil 'PR-20' for ambient temperatures below 90°F (32°C).

Use Devair Premium Compressor Oil 'PR-30' for ambient temperatures above 90°F (32°C).

<b>Specifications:</b>	Crankcase Capacity:	30 Fluid Oz (.75 litres)
	Minimum RPM:	350
	Maximum RPM:	950
	Max. Continuous Working Press.:	150 psi

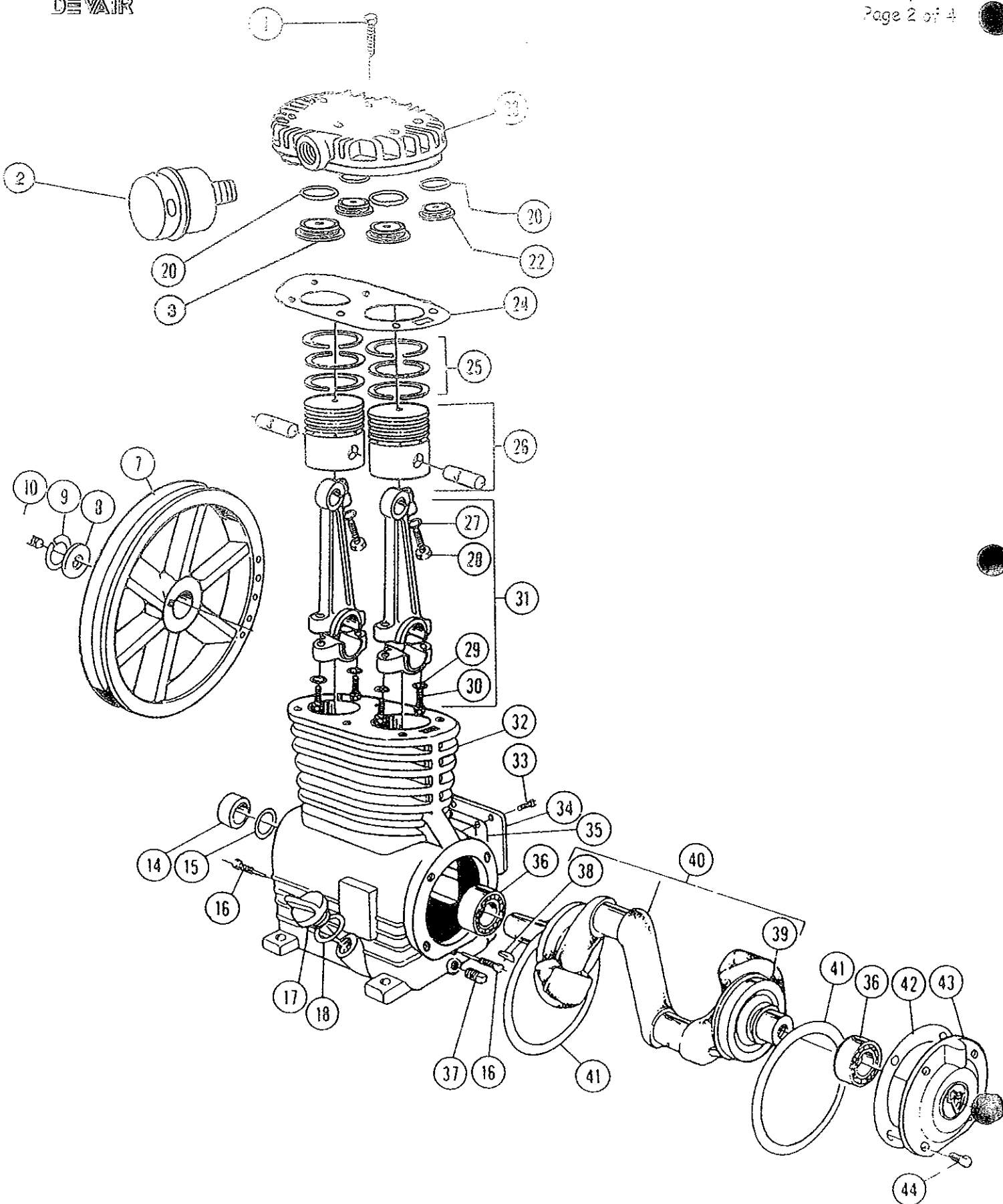
If you require assistance, contact your local Devair Distributor or Authorized Service Centre. If you wish to contact Devair directly or need to locate your closest Distributor, please reach us at :

Phone: (705) 728-5657

Website: [www.devair-compressors.com](http://www.devair-compressors.com)

Fax: (800) 561-1663

Email: [sales@devair.ca](mailto:sales@devair.ca)





The Item Numbers in the Chart(s) below refer to the Pump Breakdown on Page 2.

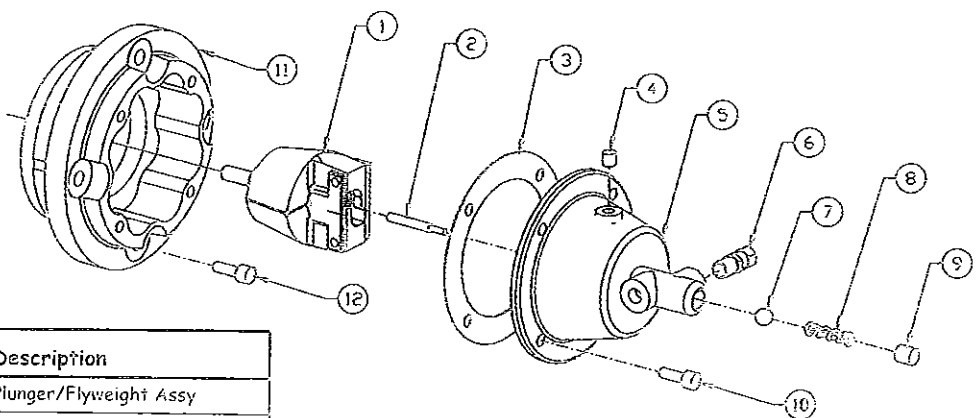
Item:	Part Number	Qty	Description
1	55-29	6	HHCS 3/8-16 x 2"
2	356-9406	1	Silencer Assy
	356-9701	1	Filter Element
3	123-417	2	Intake Valve Assy
7	31438-124	1	Flywheel
8	32233-122	1	Flywheel Washer
9	55-3607	1	Medium Lockwasher 3/8"
10	55-25	1	HHCS 3/8-16 x 1"
14	130-111	1	Oil Seal
15	330-160	1	Washer
16	220-6	1	Screw
17	NCB-303-1	1	Oil Filler Plug
18	55-2670	1	O Ring
20	123-28	4	Valve Gasket
22	123-405	2	Exhaust Valve Assy
23	37132-120-1	1	Cylinder Head
24	38547-108	1	Cylinder Head Gasket
25	KK-9848	2	Rink Kit
	KK-9849	2	Rink Kit (.020 Oversize)

Item:	Part Number	Qty	Description
26	45855-131	2	Piston & Pin Assy
	45855-134	2	Piston & Pin (.020 Oversize)
27	55-3673	2	Shakeproof Lockwasher 1/4"
28	21741-194	2	Screw
29	55-3674	4	Shakeproof Lockwasher 5/16"
30	21741-193	4	Screw
31	45856-170	2	Rod & Cap Assembly
32	37136-111	1	Cylinder & Crankcase
33	55-1	6	HHCS 1/4-20x1/2"
34	36883-105	1	Inspection Plate
35	38513-125	1	Inspection Plate Gasket
36	130-23	2	Ball Bearing
37	55-1217	1	3/8" Square Head Plug
38	55-1578	1	Key Number 13 1x3/16"
39	225-43	2	Oil Cup
40	45817-526	1	Crankshaft & Oil Cup Assy
41	32541-115	2	Oil Pickup Ring
42	38281-110	1	End Plate Gasket
43	37331-106	1	End Plate
44	55-12	4	HHCS 5/16-18x3/4"

Kits Available for the '223' Pump

Part Number	Qty	Description	Includes
GK-9406	1	Complete Gasket Kit	# 14, 15, 18, 20, 24, 35, 42
VK-123	2	Valve Repair Kit	# 3, 20, 22
OK-223	1	Overhaul Kit	# 25, and (1) 'GK-9406', (2) 'VK-123'

Centrifugal Pressure Release Assembly (CPR-9700)



Item:	Part Number	Qty	Description
1	CPR-9401	1	Plunger/Flyweight Assy
2	CPR-9004	1	Valve Stem
3	445-144	1	Gasket
4	CPR-9000-1	1	Plug
5	CPR-9009	1	Valve/Cup Body
6	SS-8553	1	Compression Fitting
7	CPR-9007	1	Ball
8	CPR-9006	1	Valve Spring
9	CPR-9000	1	Plug/Guide

Item:	Part Number	Qty	Description
10	55-10022	4	SHCS 1/4-20x1/2"
11	37335-106	1	Pressure Release Housing
12	55-7840	4	SHCS 5/16-18x1-1/4"

Part Number	Description	Includes:
CPR-9010	CPR Repair Kit	#2, 3, 7, 8, 9



### Pump Torque Values

Item:	Description	In Lbs	Ft Lbs	Nin
1	Head Bolts	240	20	27.1
3, 22	Valves	360	30	40.6
10	Flywheel Bolt	240	20	27.1
16	Oil Ring Retainer	144	12	16.2
28	Connecting Rod - Pin End	90	7.5	10.1
30	Connecting Rod - Crank End	228	19	25.7
33	Inspection Cover	72	6	8.1
44	Large End Plate	144	12	16.2

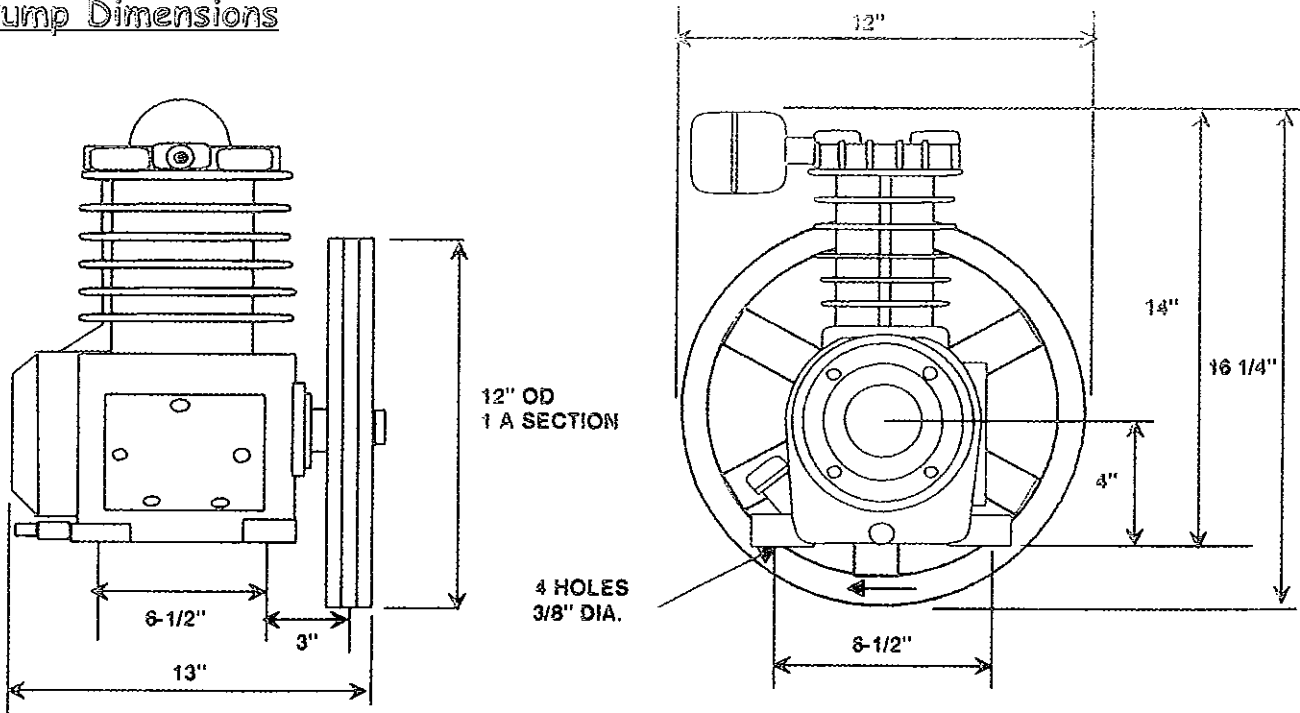
Retorque Head Bolts, End Plate, and Inspection Cover Bolts after 10 hours of operation.

### Honing Specifications

	Std. Cylinder Hone Diameter	Piston Skirt/ Cyl Dia Clear.
Standard Cylinder	2.5000	.0035
	2.5005	.0055

1. Cylinders must be within diametral tolerance at all points, out of round or taper must not exceed .0005.
2. Hone 20 min to 35 max micro inches of surface roughness.
3. De-burr the sharp corners at the top of the Cylinder opening with a 1/64 to 1/32 x 30° chamfer.

### Pump Dimensions



### Pump Specifications

Pump Model	HP	100 psi		# of Cyl.	Bore	Stroke	Flywheel		Pump Dimensions (Refer to drawing)						Weight (Pounds) (Approx)
		RPM	Defy (CFM)				Dia.	Groove	A	B	C	D	E	F	
223	1	500	4.1	2	2.5"	2.25"	12"	1A	12"	14"	15.5"	13"	6.5"	6.5"	82
	1 1/2	740	6.0												
	2	950	7.4												