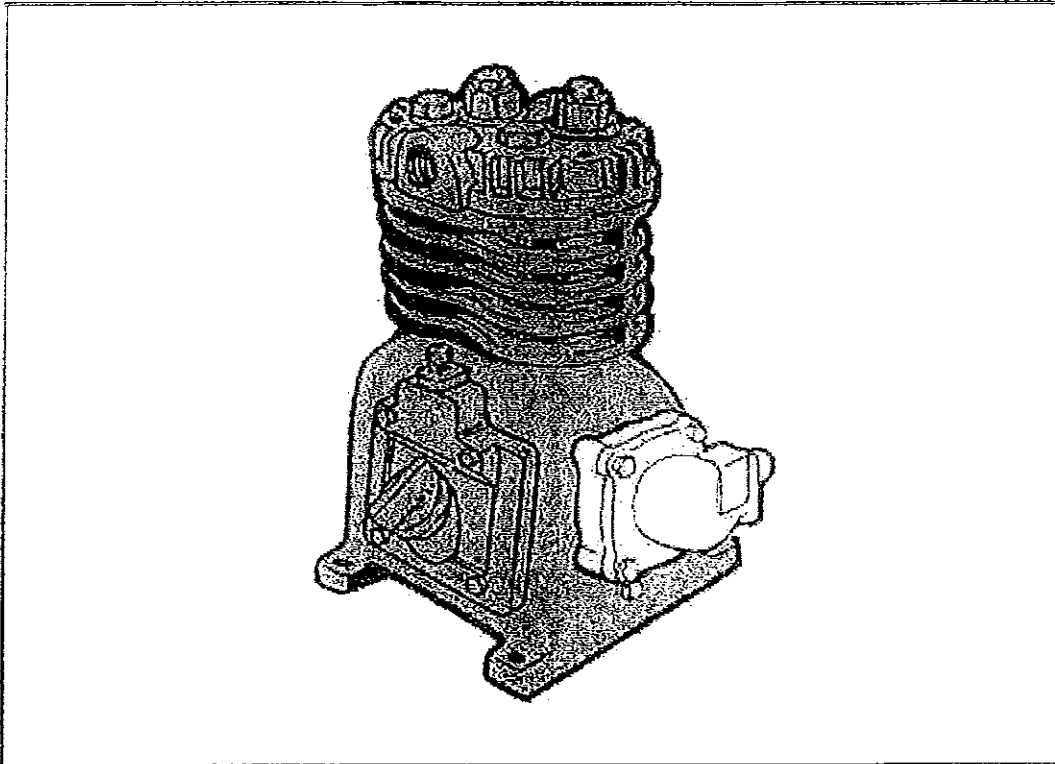




220 Series Compressor Pump

Note: This Pump is obsolete. Please contact your local Devair Distributor for Parts and/or a newer replacement Pump.



Warning: Check for proper oil level before using this equipment.

Use 20 weight non-detergent oil for ambient temperatures between 40° and 90°F.

Use 30 weight non-detergent oil for ambient temperatures above 90°F.

Specifications:	Crankcase Capacity:	14 Fluid Oz (.35 litres)
	Minimum RPM:	300
	Maximum RPM:	1100
	Max. Continuous Working Press.:	150 psi

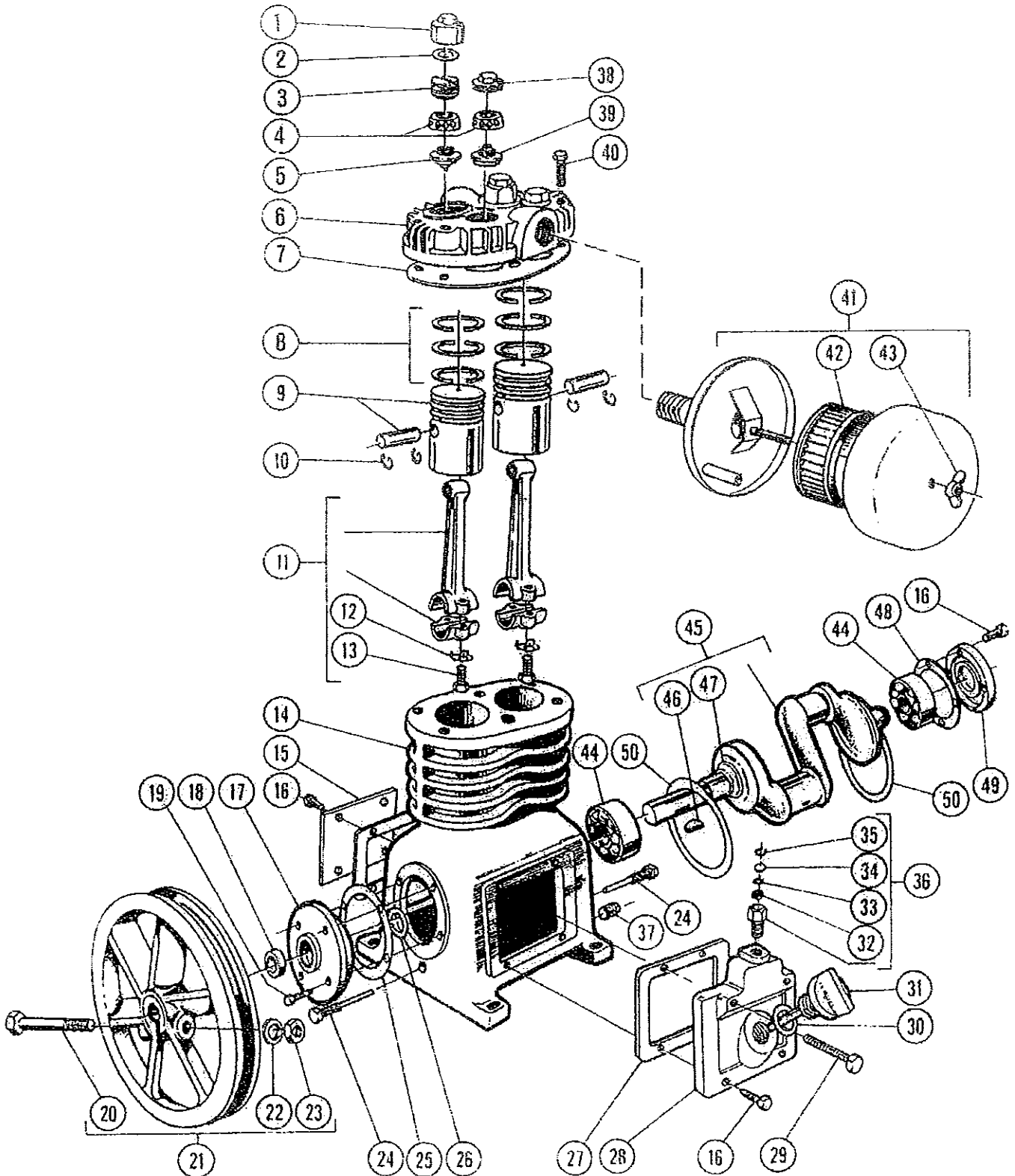
If you require assistance, contact your local Devair Distributor or Authorized Service Centre. If you wish to contact Devair directly or need to locate your closest Distributor, please reach us at :

Phone: (705) 728-5657

Fax: (800) 561-1663

Website: www.devair-compressors.com

Email: sales@devair.ca





The Item Numbers in the Chart(s) below refer to the Pump Breakdown on Page 2.

Item:	Part Number	Qty	Description
1	1202-88	2	Exhaust Valve Cap
2	120-28	2	Gasket
3	1202-89	2	Exhaust Valve Plug
4	1201-92	4	Valve Seat Spacer
5	120-4405	2	Exhaust Valve Assembly
6	220-24-1	1	Cylinder Head
7	220-26-1	1	Head Gasket
8	45875-301	2	Ring Kit (Std) (Before s/n 29821)
	KK-9833	2	Ring Kit (Std) (After s/n 29821)
9	1205-412-1	2	Piston and Pin Assy (Std)
10	120-20	4	Snap Ring
11	220-444-1	2	Rod and Cap Assy
12	SS-3673	4	½ Shakeproof Lock Washer
13	SS-6871	4	1/4-20 x 1" HHCS
14	220-4-1	1	Cylinder/Crankcase
15	220-11	1	Inspection Plate
16	SS-9	10	1/4-20 x 5/8" HHCS
17	220-9-1	1	End Plate
18	220-111	1	Oil Seal
19	SS-12	4	5/16-18 x 3/4" HHCS
20	SS-32	1	3/8-16 x 3" HHCS
21	120-458	1	Flywheel 10" Dia, 'A' Section
22	SS-1502	1	3/8" Heavy Lock Washer
23	SS-657	1	3/8-16 Hex Nut
24	220-6	2	Oil Throw Ring Retainer
25	220-13	1	End Plate Gasket

Item:	Part Number	Qty	Description
26	220-160	1	Felt Washer
27	220-14	2	Gasket
28	220-130	1	Breather/Oil Gauge Plate
29	SS-5	2	1/4-20 x 1-1/4" HHCS
30	SS-2670	1	'O' Ring
31	220-112	1	Dipstick/Oil Gauge
32	D6A-5	1	Air Valve
33	130-93	1	Breather Screen
34	HQ-47	1	Brass Retainer Disc
35	120-20	1	Snap Ring
36	130-469	1	Crankcase Breather Assembly
37	SS-1228	1	1/4" Oil Drain Plug (NLA)
38	1202-79	2	Intake Valve Plug
39	120-417-2	2	Intake Valve Assembly
40	SS-16	6	5/16-18 x 1-1/2 HHCS
41	356-9403	1	Intake Filter Assembly
42	355-9702	1	Intake Filter Element
43	SS-2037	1	1/4-20 Wing Nut
44	220-23	2	Ball Bearing (NLA)
45	220-450	1	Crankshaft/Oil Cup Assembly
46	SS-1569	1	5/8 x 1/8" Key #405
47	220-43	2	Oil Cup
48	220-12	1	End Plate Gasket
49	220-10-1	1	End Plate
50	220-5	2	Oil Throw Ring

Kits Available for the '220' Pump

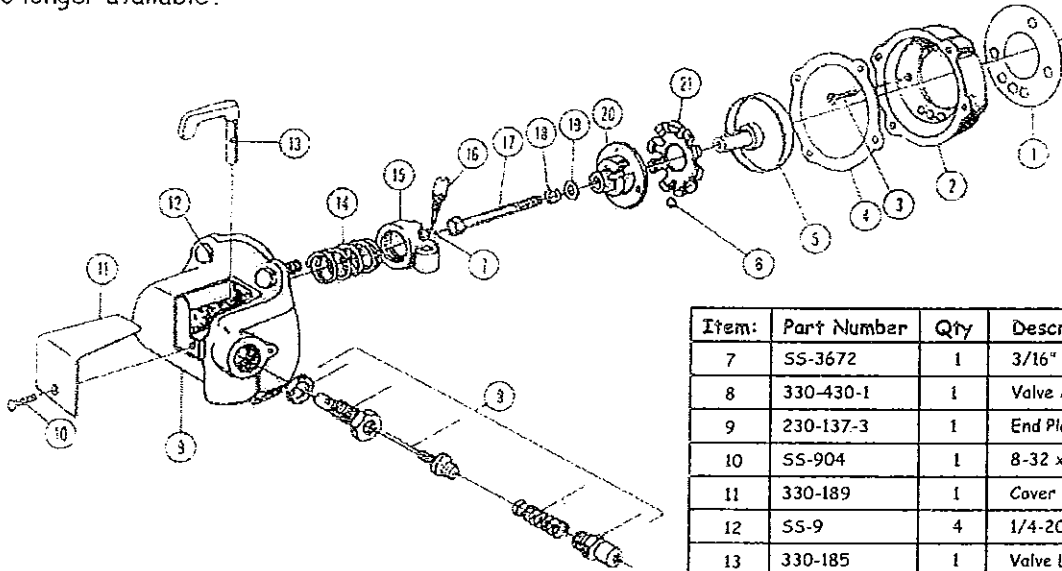
Part Number	Qty	Description	Includes
45875-004	1	Complete Gasket Kit	# 2, 7, 25, 27, 30, 48
VK-120	2	Valve Kit	# 2, 5, 39
OK-220	1	Overhaul Kit	# 18, 8 (KK-9833), and (1) '45875-004', (2) 'VK-120'



Centrifugal Pressure Release Assembly

Old Style 'CPR' Assembly.

Please note that items marked 'NLA' are 'no longer available'.



Item:	Part Number	Qty	Description
1	220-12	1	End Plate Gasket
2	220-136	1	Press. Release Housing (NLA)
3	SS-01684	4	1/4-20 x 5/8" FHCS
4	230-144	1	End Plate Gasket (NLA)
5	1202-433	1	Ball Cup Assembly (NLA)
6	SS-1555	10	5/16" Steel Balls

Item:	Part Number	Qty	Description
7	SS-3672	1	3/16" Internal Lock Washer
8	330-430-1	1	Valve Assembly
9	230-137-3	1	End Plate (NLA)
10	SS-904	1	8-32 x 3/8" RHMS
11	330-189	1	Cover Plate (NLA)
12	SS-9	4	1/4-20 x 5/8" HHCS
13	330-185	1	Valve Lever
14	330-188	1	Return Spring
15	330-183	1	Cam
16	330-184	1	Screw (NLA)
17	SS-20	1	5/16-18 x 2-1/2" HHCS
18	SS-1503	1	5/16" Medium Lock Washer
19	330-182	1	Snap Ring (NLA)
20	330-419-1	1	Ball Cam Assembly (NLA)
21	330-139-1	1	Ball Cage (NLA)

Compressor Torque Values

Item:	Description	In Lbs	Ft Lbs	Nm
1	Valve Cap	125	10.5	14.2
2	Press. Release Housing (CPR Assy)	72	6	8.1
9	CPR End Plate (CPR Assy)	72	5	8.1
11	Connecting Rod	120	10	13.5
15	Inspection Plate	72	6	8.1
17	End Plate	144	12	16.2
20	Ball Cam Ass (CPR Assy)	144	12	16.2
23	Flywheel Bolt	360	30	40.6
24	Oil Ring Retainer	72	6	8.1
28	Oil Gauge Plate	72	6	8.1
38	Valve Plug	180	15	20.3
39	Intake Valve	36	3	40.6
40	Head Bolts	144	12	15.2
49	Small End Plate	72	5	8.1

Honing Specifications

	Std. Cylinder Hone Diameter	Piston Skirt/ Cyl Dia Clear.
Low Pressure Cylinder	2.0000	.0027
	2.005	.0042

1. Diametral Clearance of oversized Cylinders and Pistons is the same as standard Cylinders and Pistons.
2. Cylinders must be within diametral tolerance at all points, out of round or taper must not exceed .0005.
3. Hone 20 min to 35 max micro inches of surface roughness.
4. De-burr the sharp corners at the top of the Cylinder opening with a 1/64 to 1/32 x 30° chamfer.



'220' Pump Specifications

Pump Model	HP	150 psi		100 psi		# of Cyl. Bore Stroke			Flywheel		Pump Dimensions (Refer to drawing)						Weight (Pounds) (Approx)
		RPM	Del'y (CFM)	RPM	Del'y (CFM)				Dia.	Groove	A	B	C	D	E	F	
220	1/2	400	1.85	365	1.67	2	2"	2"	12"	18	6.625"	11.375"	13.0625"	10"	5.625"	3.625"	55
	3/4	376	2.3	580	2.7												
	1	685	2.8	765	3.54												

Note: Though the dimensions are correct, the Pump may not be exactly as shown.

